



2011<sup>®</sup>



COMPETITOR SERIES



TROJAN SERIES



LS SERIES



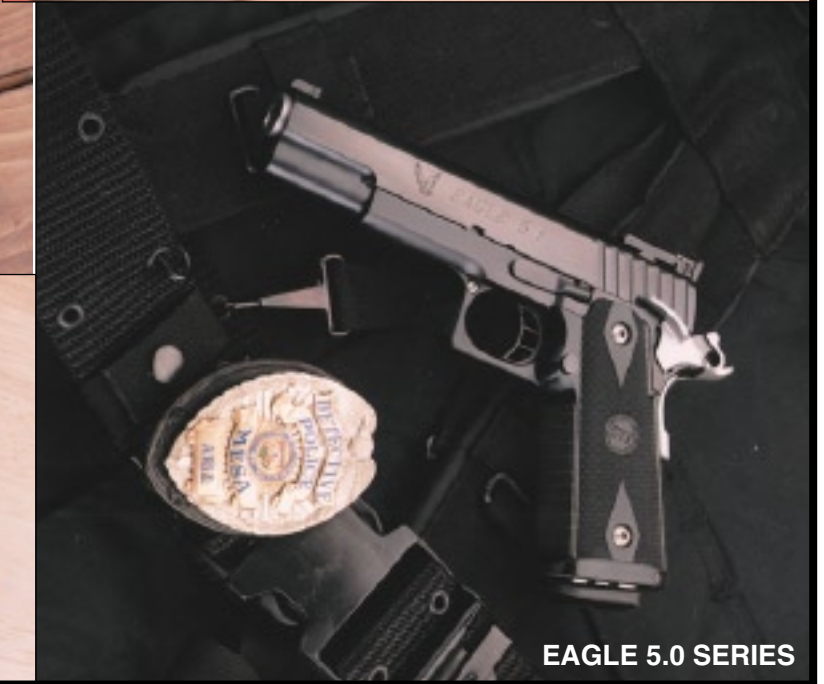
EDGE SERIES



EAGLE 6.0 SERIES



BLS SERIES



EAGLE 5.0 SERIES



## COMPETITOR

**Wanna race TODAY?** Here's your vehicle. In stock, race ready with all the most desirable "bells and whistles." With all of the attributes of the patented STI 2011 frame and trigger system, NOTHING compares on the racing circuit today. Price, delivery, or features.

### STI Competitor Specifications

Caliber: .38 Super      Action: Recoil operated as Semi-Automatic  
 Capacity: 10 Domestic, 28 for Export and Law Enforcement  
 Frame: STI Standard  
 Slide: STI Classic  
 Slide Features: STI Custom Engraving, Front & Rear Serrations  
 Trigger: STI Long curved (stainless bow, glass filled nylon shoe)  
 Barrel: STI 5.5" w/ STI S-2 Compensator  
 Safeties: STI Stainless high rise grip safety, Stainless Ambi Thumb  
 Guide Rod: STI One piece full length  
 Sights: STI "Alchin" style mount w/ C-More Rail Scope  
 Length: 11.0" overall      Weight: Under 44.0 ozs. w/ C-More installed  
 Finish: Blue with polished sides

## TROJAN

Top line quality. Mid line price. This ain't your daddy's "1911." With standard features like high rise grip safety, undercut trigger guard, STIpped front strap, match barrel, flat top slide, adjustable sights and STI quality and warranty, you are immediately ready to play with the "big boys" from any profession.

### STI Trojan Specifications (Also available in 6")

Caliber: .45 ACP, .40 Super, .40 S&W, 9mm      Action: Recoil operated as Semi-Automatic  
 Capacity: 8+1 in .45 ACP  
 Frame: STI Steel, Single-Stack, Hi-Rise cut under trigger guard, STIpped front strap  
 Slide: STI Flat Topped Government classic  
 Slide Features: STI Front and Rear Serrations, huge ejection port  
 Trigger: STI Long curved (titanium bow, glass filled nylon shoe)  
 Barrel: STI 5.0" w/ match bushing (.40 & 9mm are ramped fully supported)  
 Safeties: STI high rise grip safety, Single sided thumb  
 Guide Rod: STI One piece full length  
 Sights: STI Adjustable rear, competition front  
 Length: 8.5" overall      Height: 5.3" overall  
 Width: .920" across steel, 1.065" across Rosewood grips  
 Weight: Under 36.0 ozs.      Finish: Matted blue

## LS9 & LS40

If your pockets aren't large or deep, but you want to carry a concealable, full power gun, this is the one. In 9 m.m. and .40 S&W, this is the slimmest, full power gun on the market today. Utilizing the new, STI designed, linkless barrel lock up system, this baby transfers most of the recoil to the heel of your hand. No more high muzzle rise when you can least afford it.

### STI LS9 & LS40 Specifications

Caliber: 9m.m. & .40 S&W      Action: Recoil operated as Semi-Automatic  
 Capacity: 7+1 in 9m.m. — 6+1 in .40 S&W  
 Frame: STI Steel, Single-Stack, Hi-Rise cut under trigger guard, STIpped front strap  
 Slide: STI Square  
 Slide Features: STI Spring operated exterior extractor STI Serrations (Short bullet) Front & Rear, Integral front sight, huge ejection port, serrated rear  
 Trigger: STI Long curved (titanium bow, glass filled nylon shoe)  
 Barrel: STI 3.4" Fully supported, ramped, no bushing, Linkless with lever block, Three point lockup between Slide and reverse plug module.  
 Safeties: STI full size grip safety, Single sided thumb  
 Guide Rod: STI One piece recoil unit/cam block  
 Sights: Heine "Low Mount", fixed rear, slide integral front  
 Length: 7.0" overall      Height: 4.25" overall  
 Width: .765" across steel, 1.065" across Rosewood grips  
 Weight: Under 28.0 ozs.  
 Finish: Matted blue  
**NOTE: All trigger group parts except mainspring housing and main spring are standard 1911/2011 compatible parts.**

## EDGE 5.0"

### I.P.S.C. Approved in Limited class in .40 S&W & .45 ACP

Limited?? Well, maybe.....The EDGE is the latest concept in Limited / Standard IPSC competition firearms. Built on the STI patented frame system, the longer, wider dust cover and the STI Unique full profile slide tames felt recoil. Featuring everything an IPSC shooter could want, this is one stop shopping.

### Edge 5.1" Specifications:

Caliber: .40 S&W, .45 ACP      Action: Recoil Operated as Semi-Automatic  
 Frame: STI Wide Extended Frame  
 Frame Options: None      Slide: STI Unique  
 Slide Features: STI Style Serrations, Front and Rear, STI Custom "Edge" Slide Engraving  
 Trigger: STI Long Curved  
 Barrel: STI 5" Ramped Bull Barrel  
 Safeties: STI Grip and Ambi Thumb, both Stainless  
 Guide Rod: STI one piece, Tungsten  
 Sights: STI Front and Rear (bomar style)  
 Overall Length: 8 5/8"      Weight, Steel: 39.0 oz. ± 1 oz.  
 Finish: Blue      Finish Option: Hard Chrome

## EAGLE 6.0"

If bigger is better, then this is the best. STI's Long Wide Heavy frame profiles the entire Unique slide putting the weight right where you want it. It has the longest sight radius available in a 1911 style pistol and a soft felt recoil that will really let you call your shots. Bull's-eye and Bianchi shooters will find that

### Eagle 6.0" Specifications:

Caliber: 9m.m., .38 Super, 40 S&W, 10mm, .40 Super, .45 ACP  
 Action: Recoil Operated as Semi-Automatic  
 Frame: STI Standard  
 Frame Options: STI Heavy  
 Slide: STI Classic 6.0" (Unique optional)  
 Slide Features: STI Style Serrations, Rear and/or Front  
 STI Custom "Eagle 6.0" Slide Engraving  
 Trigger: STI Long Curved  
 Barrel: STI 6" Ramped Bull Barrel  
 Safeties: STI Grip and Single Sided Thumb, Both Stainless  
 Guide Rod: STI two piece, Steel  
 Sights: STI Front and Rear (Bomar Style)  
 Overall Length: 9 5/8"      Weight, Steel: 42.0 oz. ± 1 oz.  
 Finish: Blue      Finish Option: Hard Chrome

## EAGLE 5.0"

### I.P.S.C. Approved in Limited class in .40 S&W & .45 ACP

STI's all time greatest best seller. It's the best redesign of the best design ever. Linking 2011® technology with 1911 design, STI has produced the softest shooting, most reliable, highest capacity (for law enforcement and export) most accurate, factory produced recoil operated, semi-automatic handgun in the world today. Just borrow a friend's and see for yourself.

### Eagle 5.1" Specifications:

Caliber: 9m.m., 9x23, .38 Super, 40 S&W, 10m.m., 40 super, .45 ACP, .45HP  
 Action: Recoil Operated as Semi-Automatic  
 Frame: STI Standard Frame      Frame Options: Choice of 7 others  
 Slide: STI Classic or Unique  
 Slide Features: STI Style Serrations, Front and/or Rear  
 STI Custom "Eagle" Slide Engraving  
 Trigger: STI Long or Short Curved  
 Barrel: STI 5" Ramped Bull Barrel  
 Safeties: STI Grip and Single Sided Thumb  
 Guide Rod: STI one piece, Steel or Tungsten  
 Sights: STI Front w/STI, Novak or Heine Rear  
 Overall Length: 8 5/8"      Weight, Steel: 34.5 oz. ± 1 oz.      Weight, Alum.: 30.5 oz. ± 1 oz.  
 Finish: Blue      Finish Option: Hard Chrome

## BLS9 & BLS40

If you're uncomfortable with less than a full length grip; but size is still important to you in a full power carry gun, this is the one. In 9 m.m. and .40 S&W, this is the slimmest, full grip length gun on the market today. Utilizing the new, STI designed, linkless barrel lock up system, like the "LS," this is a concealable cream puff.

### STI BLS9 & BLS40 Specifications

Caliber: 9m.m. & .40 S&W  
 Action: Recoil operated as Semi-Automatic  
 Capacity: 9+1 in 9m.m. — 8+1 in .40 S&W  
 Frame: STI Steel, Single-Stack, Hi-Rise cut under trigger guard, STIpped front strap, Government length

### STI BLS9 & BLS40 Specifications, continued

Slide: STI Square  
 Slide Features: STI Spring operated exterior extractor  
 STI Serrations (Short bullet) Front & Rear  
 Integral front sight, huge ejection port, serrated rear  
 Trigger: STI Long curved (titanium bow, glass filled nylon shoe)  
 Barrel: STI 3.4" Fully supported, ramped, no bushing, Linkless with lever block, Three point lockup between Slide and reverse plug module.  
 Safeties: STI full size high rise grip safety, Single sided thumb  
 Guide Rod: STI One piece recoil unit/cam block  
 Sights: Heine "Low Mount", fixed rear, slide integral front  
 Length: 7.0" overall      Height: 5.25" overall  
 Width: .765" across steel, 1.065" across Rosewood grips  
 Weight: Under 30.0 ozs.      Finish: Matted blue  
**NOTE: All trigger group parts are standard 1911/2011 parts.**



## SHORT BLOCKS

### SHORT BLOCKS FOR GUNSMITHS

All frames and slide combinations and options on the following pages apply. Bull barrels only, no bushings.

Components shown at right constitute an STI "shortblock."



5.0" Short Block  
w/standard Frame &  
Classic Slide



6.0" Short Block  
w/Unique Slide and  
6" Matching Frame



5.0" Short Block w/Unique  
Slide and 5" Matching Frame



5.5" Short Block  
w/compensator

**SLIDE TO FRAME FIT,  
BARREL TO SLIDE FIT, AND  
SELECTED SLIDE RELEASE PIN  
WORK TOGETHER TO CREATE A  
"ZERO TOLERANCE" FIT.**

### SHORT BLOCK COMPLETION KITS

*(Sold Separately)*



with ambi-dextrous safety



with single sided safety

*F.E.T. must be added  
when short blocks and  
Completion kits are pur-  
chased together.*



## SLIDE TO FRAME FITS

### SLIDE TO FRAME FITS FOR GUNSMITHS

All frames and slide combinations and options on the following pages apply.

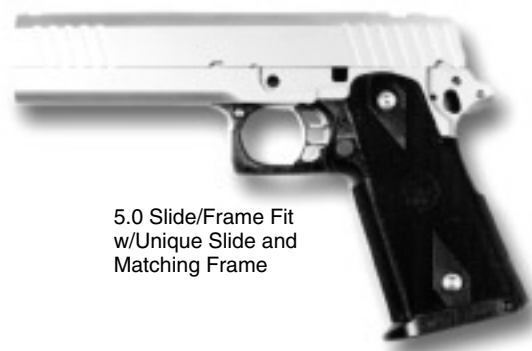
All slide to frame fits are surface ground and CNC cut for the smoothest possible mating surfaces and longest life. Quality and price are unbeatable. Available in these STI models: 5.0, 5.5, 6.0 (finish in



5.0" & 5.5" Slide/Frame Fit  
W/Standard Frame & Classic Slide



6.0" Slide/Frame Fit  
w/Unique Slide



5.0 Slide/Frame Fit  
w/Unique Slide and  
Matching Frame

### PRECISION MACHINED PERFECTLY MATCHED PROFESSIONALLY FIT



## BARRELS & COMPENSATORS



5.0"



5.5"  
with Thread



5" Gov't Model Barrel  
w/Link and Bushing

### BARRELS FOR GUNSMITHS

*(bull barrel fully supported, ramped only)*

**.38 Super / 9mm Generic Bull Barrel**

**.40 S&W / 10mm Generic Bull Barrel**

**.45ACP / .45HP Generic Bull Barrel**



S-1 Compensator  
on 5.5" Barrel



S-2 Compensator  
on 5.5" Barrel

The STI bull barrel is made from 416 Rifle Grade Stainless Steel billet forgings. The bore is gun drilled, button rifled, and air gaged to give you the most exacting size, best finish, and most consistent 1 in 16 twist available on the market. The barrels are vacuum heat treated and vacuum tempered to 40Rc, then secondarily machined by C.N.C. machining methods to exacting S.A.M.I. specifications. The chambers are short cut to allow the gunsmith to fit the chamber as required for each caliber. The lower lugs, hood, and bridge stop cut have ample stock left on them to allow for the exacting requirements of fit to the slide, frame, and slide stop. The upper locking lugs are machined in a manner as to insure a .045 upper lug engagement. Extensive research and testing has gone into the development of our ramp and pre-throat, in order to assure accurate and failsafe feeding of the round. The barrel comes pre-sculpted from the factory to give you the slide to barrel clearance required for fitting.

### Compensator for Bull Barrels

(.687 x 40 thread)

**New Bull Compensator with 35% increased surface wall.**

The bridge face cut has extra material to allow the gunsmith to conform the barrel to a Nowlin cut at 0.485" from the back of the bridge cut in the frame to a 0.199" diameter slide stop pin. Crowning of the barrel is also left to the gunsmith in order to allow best fit to the slide length and to allow customization for customer preference. Every attempt to provide a sound barrel platform has been made to allow the gunsmith maximum flexibility in construction and design of custom firearms.



## 2011® FRAME KITS

### FRAME KITS FOR GUNSMITHS

The STI 2011® Frame is manufactured from 4140 Maxxell Alloy steel, 17-4 stainless steel, or 7075 aerospace grade aluminum and is all pre-cut for a high ride beavertail configuration as well as being pre-cut for an ambidextrous safety. The grip is a glass filled, nylon polymer. The kit assembly includes an STI patented long trigger and an STI 2011® magazine release. The frames come either non-ramped for standard configuration barrels, or with an STI/Wilson/Nowlin ramp cut for fully supported barrels for an extra charge. It is the same width and depth as the 1911 design, and will accept high capacity magazines for law enforcement or export.



SOCOM FRAME



7" FRAME



LONG WIDE FRAME KIT for 5.0" models, length of 5" slide.



STANDARD FRAME KIT for 5.0", 5.5" guns. Same length as 1911 gov't model.



6.0" FRAME KIT models length of 6" slide.



SURE FIRE FRAME

"2011®" and "2011-A1®" are Registered Trademarks of STI International under Pat. #'s D-316,393, D-316,394

The "2011®" Frame Assembly is covered by the following patents: U-5,293,708, D-345,022, D-347254, D-347256, D-355125

Custom Serial Numbers are available.

Frame Kits are 35% lighter than their steel counterparts, and come pre-checked with 30 lpi on the complete frontstrap, and 25 lpi on the trigger guard. The grip panels are completely done in 30 lpi.



## SLIDES



CLASSIC

6.0"



UNIQUE

6.0"



CLASSIC

5.0"



5.0"



CLASSIC

5.0" FLAT TOP

### SLIDES FOR GUNSMITHS

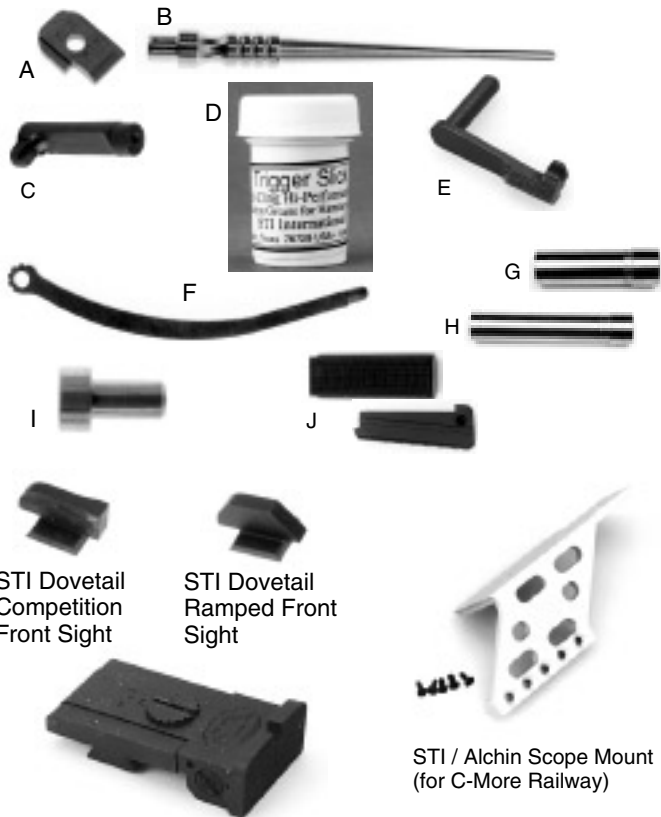
The STI 2011® slide is CNC and EDM machined from 4140 steel or 17-4 stainless and heat treated to a 40-42 Rockwell hardness. It is available in all popular caliber's and in both the "Classic" and "Unique" configuration. There are currently two (2) lengths in production, with two (2) more to come. The slides are available with the following CNC cuts: STI serrations, flat top and sight cuts for STI, Bomar, Novak and Heine.

**ABSOLUTE PART TO PART CONSISTENCY.**

**GUNSMITH FRIENDLY — READY FOR FINAL FITTING TO YOUR FRAME.**



## SMALL COMPONENTS



- A. STI Firing Pin Stop**—.38 or .45 (also available with STI Bomar cut)
- B. STI Firing Pins**—Stainless Steel or Titanium  
High quality stainless; faster locktime with Titanium.
- C. STI Magazine Release**, non-beveled for no over insertions, drilled & tapped (w/ locking pin & spring)
- D. STI Trigger Slick**  
Ideal lubricant for Hammer to Sear engagement surfaces; very high cling.
- E. STI Slidestop**—Complete
- F. STI Hammer Strut**—6AL4B Titanium, engineered from aerospace grade Titanium for quicker lock time; improved geometry for longer life and better leverage.
- G. STI Reverse Plug, 5.0"** —P-20 Steel (Modified 4130).
- H. STI Reverse Plug, 6.0"** —P-20 Steel (Modified 4130).  
Crack resistant for longer life.
- I. STI Mainspring Cap**—6AL4B Titanium.  
Quicker locktime for better accuracy.
- J. STI Mainspring Housing**—Flat Polymer or Arched Aluminum (not shown)



## GRIP SAFETY-COMPETITION STI-HIGH RISE, KNUCKLE RELIEVED

Series 70, 80

**Material:** 4140 Steel or 17-4 SS  
**Hardness:** 38 Rockwell  
Straight safety arm—no forming necessary; safety arm is prenotched making it unnecessary to remove mainspring housing to remove safety; deeper strut groove—no binding on strut; thicker palm pad by .020"; precut knuckle clearance on beaver tail; extra material (.010") for blending.



## HAMMERS



SPUR COMMANDER SQUARE

**Material:** A-6 Tool Steel or 6AL4B Titanium  
**Hardness:** 52-54 Rockwell  
Perfect geometry for improved trigger pull; engagement surfaces ground true to pivot hole and highly polished; wire E.D.M. cut for uniform outer and inner

Titanium provides quicker lock time for better accuracy.



## SEARS

**Gunsmithing pad to adjust take-up.**  
.001 profile tolerance—the best available.

### MATCH SEAR

**Material:** 4340 Steel  
**Hardness:** 45-48 Rockwell

### S-7 PREMIUM SEAR

**Material:** S-7 Tool Steel  
**Hardness:** 54-56 Rockwell

Perfect geometry for improved trigger pull; engagement surfaces ground true to pivot hole and polished; long, long life on polished surface.



### STI ADJUSTABLE SIGHT (Standard Bomar Cut)

One piece blade / adjustment tunnel

Back blade fully serrated, corner radiused, uniform mount hole.



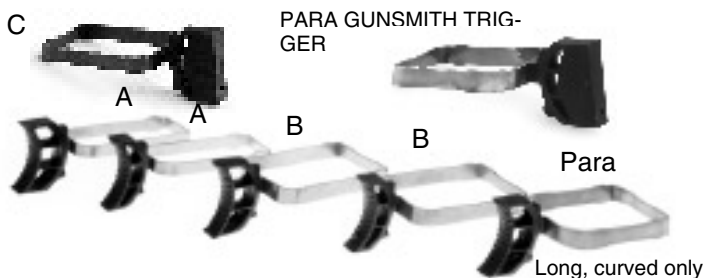
## TRIGGERS

The 2011® Trigger Assembly is covered by Patent #Des.335,519

**Material:** STI & Para have 4140 stainless steel bows with glass filled nylon shoes. 1911 has CP-2 titanium bow with glass filled nylon shoe.

Lighter weight to reduce inertial firing and to reduce reset time for quicker, more accurate shots. Tighter fit for magazine clearance. Comes in long curved, short curved, and gunsmith blank varieties. Both take-up and over-travel adjustments are standard features.

- A. Trigger, Titanium Bow, for 1911 Style Gun (long or short bow, curved only)  
Trigger, Titanium Bow, for 1911 Style Gun (gunsmith blank) (not shown)
- B. Trigger, Stainless Bow, for 2011® Style Gun (long or short bow, curved only)
- C. Trigger, Stainless bow, for 2011® Style Gun (gunsmith blank)





# MAGAZINES, ACCESSORIES



## MAGAZINES

(see chart for capacity and dimensions)

- 126 mm North American Carry, **10 round**
- 126 mm International Carry, Normal Capacity
- 140 mm Standard Carry, Normal Capacity
- 170 mm International Long, High Capacity

### Para-Ordnance Substitute Magazines for Law, Military and Export ONLY

- 140 mm International Standard, Normal Capacity
- 170 mm International Long, High Capacity

### Replacement Magazine Tubes for pre-ban mags only

- 126 mm North American Carry (10 round)
- 126 mm North American Carry, Normal Capacity
- 140 mm Standard, Normal Capacity
- 170 mm International Long, High Capacity

### ParaOrdnance Substitute Magazine Replacement Tubes

- 140 mm International Standard, Normal Capacity
- 170 mm International Carry, High Capacity

## MAGAZINES

**Material:** 410 Stainless Steel for longer life and greater strength; corrosion resistant; **Higher Capacity** for law enforcement and export

NOTE: ALL NORTH AMERICAN MAGS. ARE 10 ROUND ONLY!! DESCRIPTIONS, RIBS & DIMENSIONS STILL APPLY THIS CAPACITY IS FOR LAW ENFORCEMENT AND EXPORT ONLY!!					
Caliber	STI or Para	Length	# Rounds	# of Ribs	Feed Lips
.38, 9x23, 9mm	STI	126mm Carry	18	4 Deep	.355-.365
.38, 9x23, 9mm	STI or Para	140mm Comp	22	4 Deep	.355-.365
.38, 9x23, 9mm	STI or Para	170mm Extended	28	4 Deep	.355-.365
.40, 10mm	STI	120mm Short Grip	14	2 Deep, 2 Surf	.385-.395
.40, 10mm	STI	126mm Carry	16	2 Deep, 2 Surf	.385-.395
.40, 10mm	STI or Para	140mm Comp	19	2 Deep, 2 Surf	.385-.395
.40, 10mm	STI or Para	170mm Extended	24	2 Deep, 2 Surf	.385-.395
.45 ACP	STI	126mm Carry	12	4 Surface	.425-.445
.45 ACP	STI or Para	140mm Comp	16	4 Surface	.425-.445
.45 ACP	STI or Para	170mm Extended	20	4 Surface	.425-.445
Overall body width of all magazines (external side to side)					.935-.945
Overall body depth of all magazines (internal front to back)					1.300 min
<b>STI</b> All STI Mag Bodies have 2 holes, a round cut for the disconnecter rail window, and a mag catch opening 0.160" tall. All feed lips are caliber specific.					
<b>PARA ORDNANCE</b> All Para Mag Bodies have 3 holes, a square cut for the disconnecter rail window, and a mag catch opening 0.1" tall. All feed lips are caliber specific.					
<b>FINAL ROUNDS ARE VERY DIFFICULT TO LOAD IN MAGAZINES.</b>					

## Replacement Magazine Followers

Standard



STI Mag Well



Mag Well, STI Stainless Steel (not shown)  
Mag Well, STI Aluminum  
Mag Well, Krebs, Zytac Polymer



## HARDWARE

**Grip Screw Kit** (including: 2 bushing, 2 upper scr., 2 lower scr., 2 trigger scr., 1 trigger sleeve)  
Parts also sold separately.



**Grip Bushing Installation Tool**  
(not required, but makes life easier)



## GUIDE RODS

- 5.0" Length Steel (one piece)
- 5.0" Length Only, Tungsten (one piece)
- 6.0" Length Steel (two piece)
- 5.0" Recoil Reducer

Guide Rod, one-piece, steel:

**Radiused Head is a pre-beveled for barrel link clearance. Full thru takedown hole.**

Guide Rod, one-piece, **tungsten**: Radiused Head is a pre-beveled for barrel link clearance. **Half thru takedown hole.**



7" .224 BOZ



5.4" .40 Super



## APPAREL



STI Ball Cap—black bill, white top, w/logo



STI T-Shirt, with pocket, white or red



STI Long Sleeve T-Shirt, no pocket, white only



STI Golf Shirt w/pocket, white



STI Team Shirt



Typical STI Shirt Back

### Business Practices

STI International, Inc. is a manufacturer of fine firearms and firearm parts. We sell exclusively to Distributors and Dealers in the United States and in those countries to which the U.S. State Department will grant an Export Permit.

We will refer retail callers to the dealer or distributor nearest them, except "shopping cart" customers when making minimum.

We will not violate the U.S. Firearms act of 1994 or any other law of this Country.

Gun orders for export require a deposit before commencement and full payment before shipment. Parts orders for export require full payment before shipment.

Domestic dealers will be C.O.D. or Net on receipt, dependent on volume and length of relationship.

Domestic distributors will be Net on receipt or Terms with proper credit references and length of relationship.

All Frames with custom serial numbers or custom guns will require a deposit.

All refused shipments and returns, for other than Warranty, are subject to a restocking fee.

We accept company checks, money orders, Visa and MasterCard, and wire transfers.

We ship U.S. Postal Service, UPS, and Federal Express.

## GRIPS

### GRIPS FOR 2011® STYLE GUN ONLY

Single Stack Grip (long version only) *Black only*

Colored Grip (long version only)

Colored Mainstring Housing (to match above)

Colored Trigger (to match above)



140-170 m.m.



### WARRANTY STATEMENT

STI International, Inc. manufactures all of their own components *except* pins, springs, thumb safeties, and scopes. The suppliers of these purchased parts are reputable manufacturers with whom we have long term business relationships. We are, therefore, supremely confident in the fit, form, and function of every firearm and firearm part that we ship to our loyal customer base. With that in mind, we unconditionally warranty our products for their intended purpose, when installed properly. As with any product, abuse, modification and normal wear are excluded.



*Designed to Perform*